

Solar Module sunblu SBF170M5E/175

Monocrystalline, 175 Wp



Guarantee

sunblu issues a 20 year performance guarantee of 85% of stated performance. The product guaranty is valid for 2 years.

Characteristics

- ▶ High-performance module with 72 monocrystalline solar cells (125×125mm)
- ▶ Integrated bypass diodes minimizes output losses caused by shade
- ▶ Low iron tempered glass
- ▶ Embedded in EVA-foil
- ▶ Aluminium frame for a safe mounting and outdoor use

High class performance

The solar module sunblu SBF170M5E/175 is equipped with 72 pieces of monocrystalline solar cells (125×125mm) of CEEG and JA Solar, which guarantees high-performance.

Bypass diodes provide optimal protection of cells if shade occurs and prevent output losses.

Safety first!

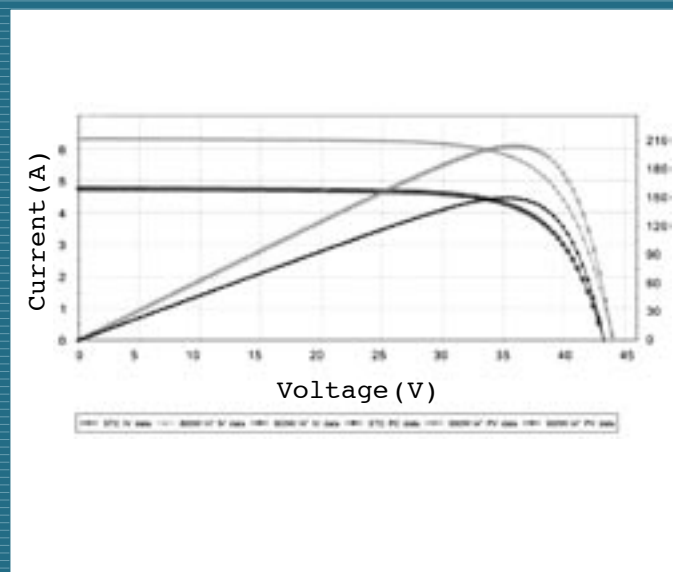
To protect against atmospheric influences, a low iron tempered and therefore very transparent glass made by Pilkington is frontally inserted. The module is protected by a non-switched EVA foil on the rear side. The processing corresponds to the international criteria of the testing standard IEC 61215 Edition 2 and protection class II.

The electrical contacts are merged in a junction box on the rear side. The connection cables are durable temperature resistant, UV-stable and conducted with insulated multi-contact plugs.

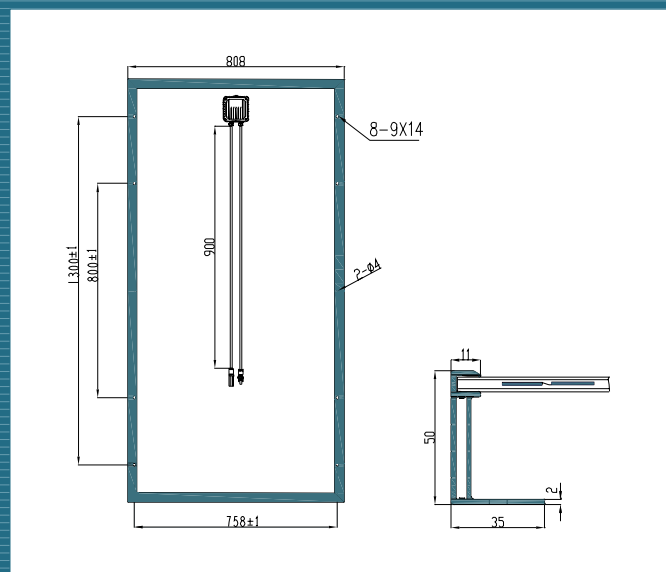
Solar Module sunblu SBF170M5E/175

Technical Data

Characteristics



Dimensions



Electrical properties

Nominal power (Pmax)	175Wp
Power tolerance	±5%
Efficiency	13.7%
Voltage (Upm)	36.45V
Current (Ipm)	4.8A
Open-circuit voltage (Uoc)	43.7V
Short-circuit current (Isc)	5.1A
Quantity of cells	72
System voltage	24VDC
Maximum system voltage	1,000VDC

Temperature coefficients at

Short-circuit current (Isc)	1.92mA/K
Open-circuit voltage (Uoc)	-167mV/K
Maximum power (Pmpp)	-0.43%/K

Dimensions and weight

Dimensions (H×B×D)	1580×808×50mm
Weight	15.5kg
Connection cable	4mm ² , 2×900mm
Circuit points	MC4 IV

Certification (according to)

IEC 61215 Edition 2,
Protection class II

Standard test conditions: 25°C, 1kW/m², AM 1.5
Pacific test conditions: 20°C, 1kW/m², AM 1.5,
1m/s wind speed

Presented figures and specifications assert no claim of completeness. Technical alterations reserved. General Terms and conditions of the sunblu systems Ltd. apply.



sunblu systems Ltd.
Christophstrasse 11
45130 Essen / Germany
www.sunblu.com